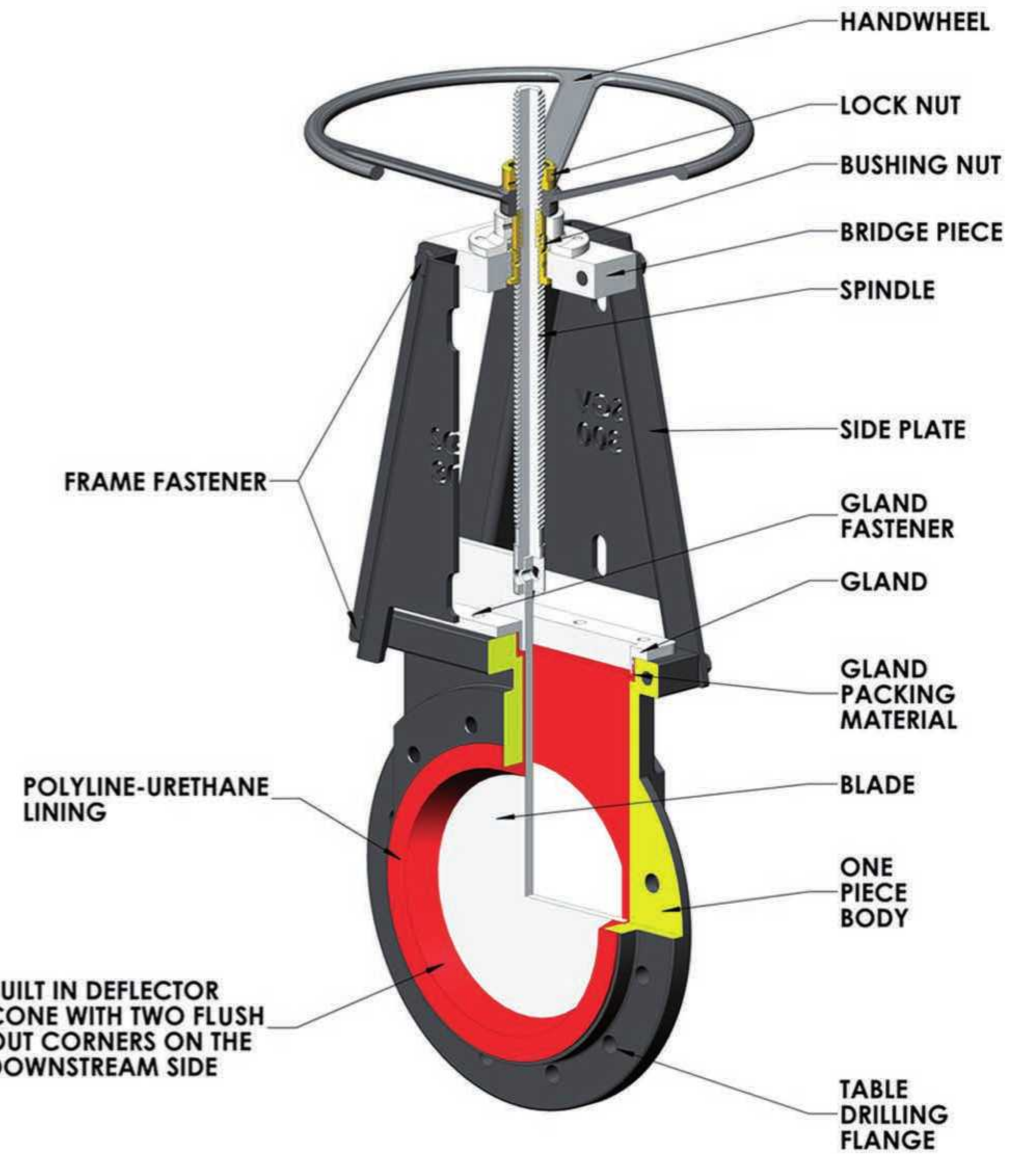
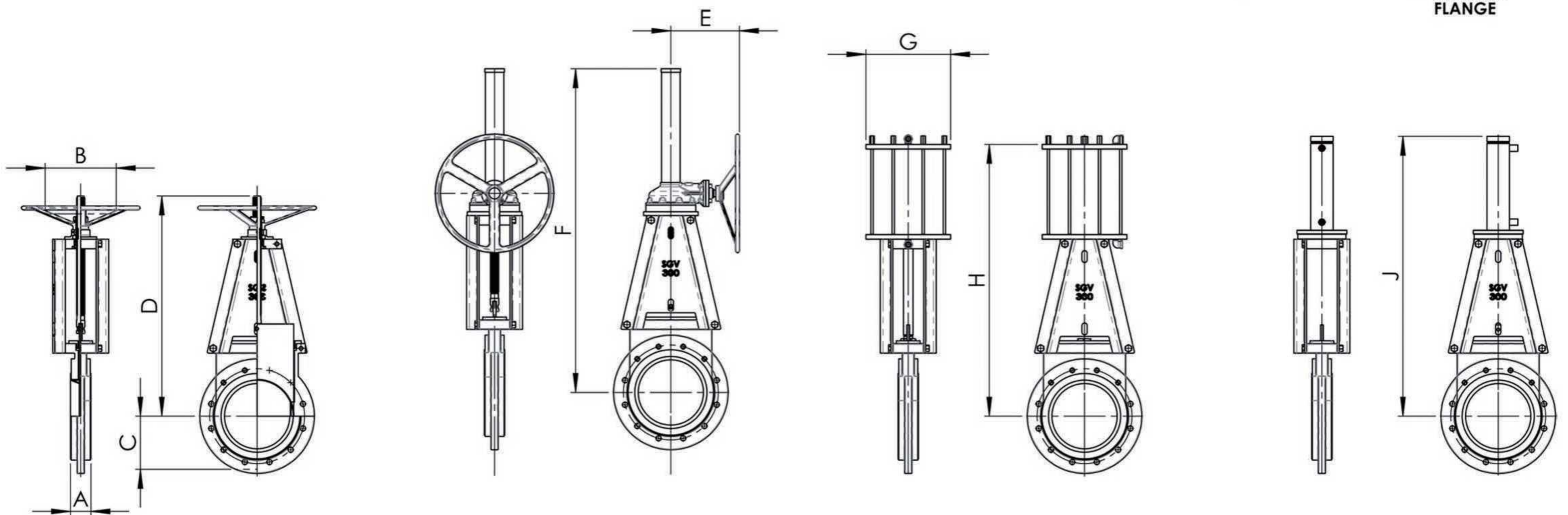


Valve Size	2" 50mm	2.5" 65mm	3" 80mm	4" 100mm	5" 125mm	6" 150mm	8" 200mm	10" 250mm	12" 300mm	14" 350mm	16" 400mm	18" 450mm	20" 500mm	24" 600mm
A	40	40	50	50	50	60	60	70	80	80	90	100	110	120
B	225	225	225	225	225	300	300	400	400	500	500	500	500	600
C	76	92.5	100	114.5	142.5	142.5	171	203	241	266	298	323	358	416
D	345	358.5	396	510	494	572	791	934	1094	1224	1435.5	1720	1720.5	2200
E	-	-	-	-	-	-	170	203	241.5	266.5	298.5	228	349.5	228
F	-	-	-	-	-	-	832	992	1132	1173	1423	1535	1803	2084
G	100	-	160	160	-	160	200	300	300	300	350	350	400	400
H	495	-	533	575	-	750	870	1010	1200	1320	1405	1605	1750	1895
J	477	-	558	610	-	743	879	1055	1207	1290	1421	1666	1870	2040
A1	46	46	56	56	56	66	66	76	86	86	96	108	116	126



BUILT IN DEFLECTOR CONE WITH TWO FLUSH OUT CORNERS ON THE DOWNSTREAM SIDE



Valve Size	2"	2.5"	3"	4"	5"	6"	8"	10"	12"	14"	16"	18"	20"	24"
	50mm	65mm	80mm	100mm	125mm	150mm	200mm	250mm	300mm	350mm	400mm	450mm	500mm	600mm
A	40	40	50	50	50	60	60	70	80	80	90	100	110	120
B	225	225	225	225	225	300	300	400	400	500	500	500	500	600
C	76	92.5	100	114.5	142.5	142.5	171	203	241	266	298	323	358	416
D	345	358.5	396	510	494	572	791	934	1094	1224	1435.5	1720	1720.5	2200
E	-	-	-	-	-	-	170	203	241.5	266.5	298.5	228	349.5	228
F	-	-	-	-	-	-	832	992	1132	1173	1423	1535	1803	2084
G	100	-	160	160	-	160	200	300	300	300	350	350	400	400
H	495	-	533	575	-	750	870	1010	1200	1320	1405	1605	1750	1895
J	477	-	558	610	-	743	879	1055	1207	1290	1421	1666	1870	2040
A1	46	46	56	56	56	66	66	76	86	86	96	108	116	126