

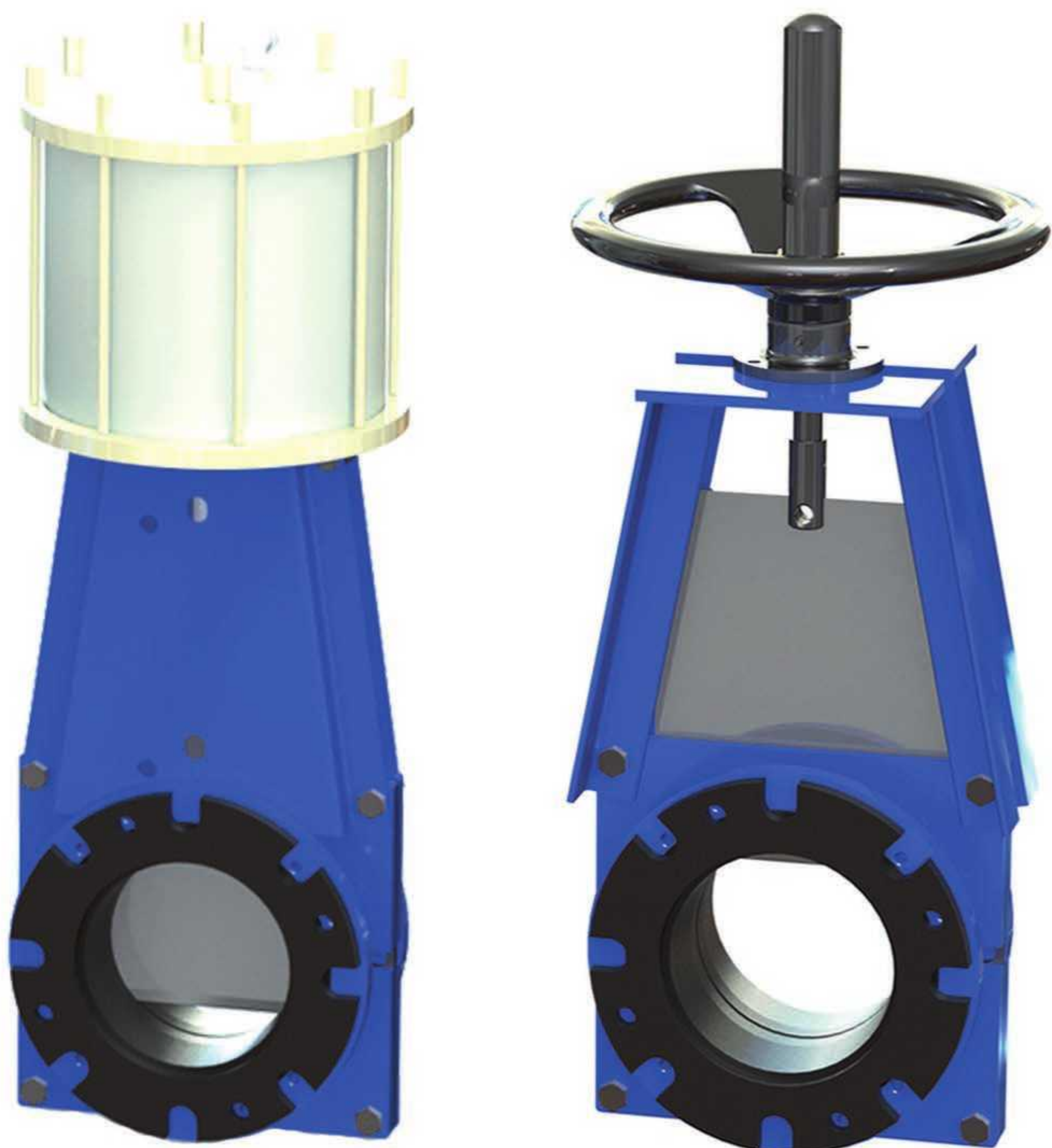
SLURRY FLANGED SERIES KNIFE GATE VALVE

PRODUCT SPECIFICATION

| | |
|-------------------------------|---|
| Body | : SG Iron Gr. 42 (SABS) or steel fabricated. |
| Elastomer Sleeves | : Gum rubber (Standard), Nitrile, EPDM, Butyl, Hypalon. |
| Pressure Rating | : DN80 to DN400 rated to 100 psi (7 Bar) using 316 S/S Blade, 150 psi (10 Bar) if 17/4 PH Blade is used (Up to DN 350). |
| Gate Material | : 304/316 Stainless Steel with optional coatings available. Other blade materials available - 17-4PHSS, Hastelloy, SAF 2205 Duplex Stainless Steel. |
| Drilling Patterns | : DN80 to DN250 drilled and tapped AS, ANSI, SABS, BS10 Table 1 DN300 to DN400 flanges are slotted ANSI 150# or other upon application. |
| Material Certification | : Certified chemical and physical test reports can be supplied. |
| Top Works | : Mild Steel - Angle Iron or A-Frames. |
| Color | : To client specification. |
| Branding | : Optional. |

APPLICATIONS

- Mining & Mineral Processing.
- Chemical & Soda Ash.
- Power Generation.
- Pulp & Paper.
- Sand & Gravel.
- Environmental & Effluent.



The Flanged Slurry Knife Gate Valve KGA - FGV is built with a cast SG Iron GR. 42 or fabricated body and features a heavy-duty stainless steel blade. Removable seats on either side of the blade provides a bi-directional, bubble-tight seal with no metal parts in contact with the slurry.

FEATURES

- Double seat design for heavy-duty slurry service.
- Ease-of-replacement Seat Liners.
- When open, the Flanged Knife Gate is fully withdrawn from the slurry flow.
- No metal parts in contact with the flowing slurry.
- Bubble-tight shutoff.
- No clogged bonnet to impede flow.
- External epoxy-coated.
- Easily adapted to suit most actuators.
- Low-maintenance.
- Suitable for wet or dry service.
- Bi-directional flow.
- No gland to maintain.
- Wide range of elastomer's available.
- Light-weight for easier handling.
- No seat cavity where solids can collect and prevent full gate closure.

ACTUATORS

All types of actuators can be fitted:

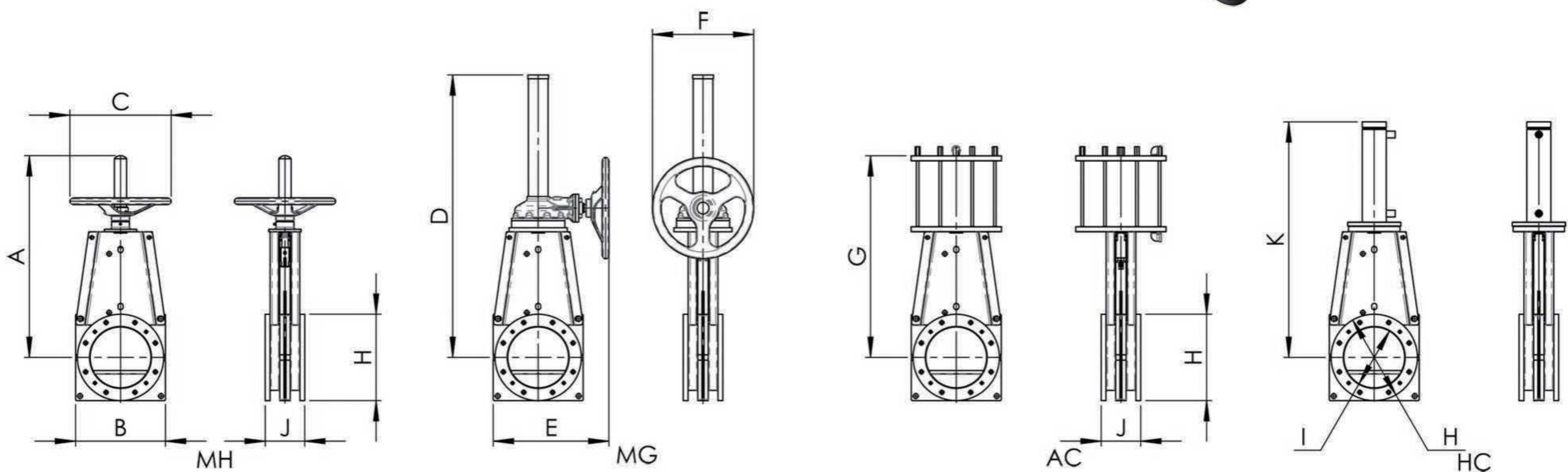
- Electric.
- Gear Box.
- Hydraulic.
- Pneumatic.
- Hand-wheel.

ACCESSORIES

- Flushing Port Cover** : For use on corrosive medium.
- Dust Covers** : PVC Bellows and spindle cover.
- Gate** : Various gate materials.
- Instrumentation** : Proximity Switces - Solenoids.

DIMENSIONS

Dimensions are for guidance only - detailed dimension drawings are available on request. All dimensions are stated in millimeters.



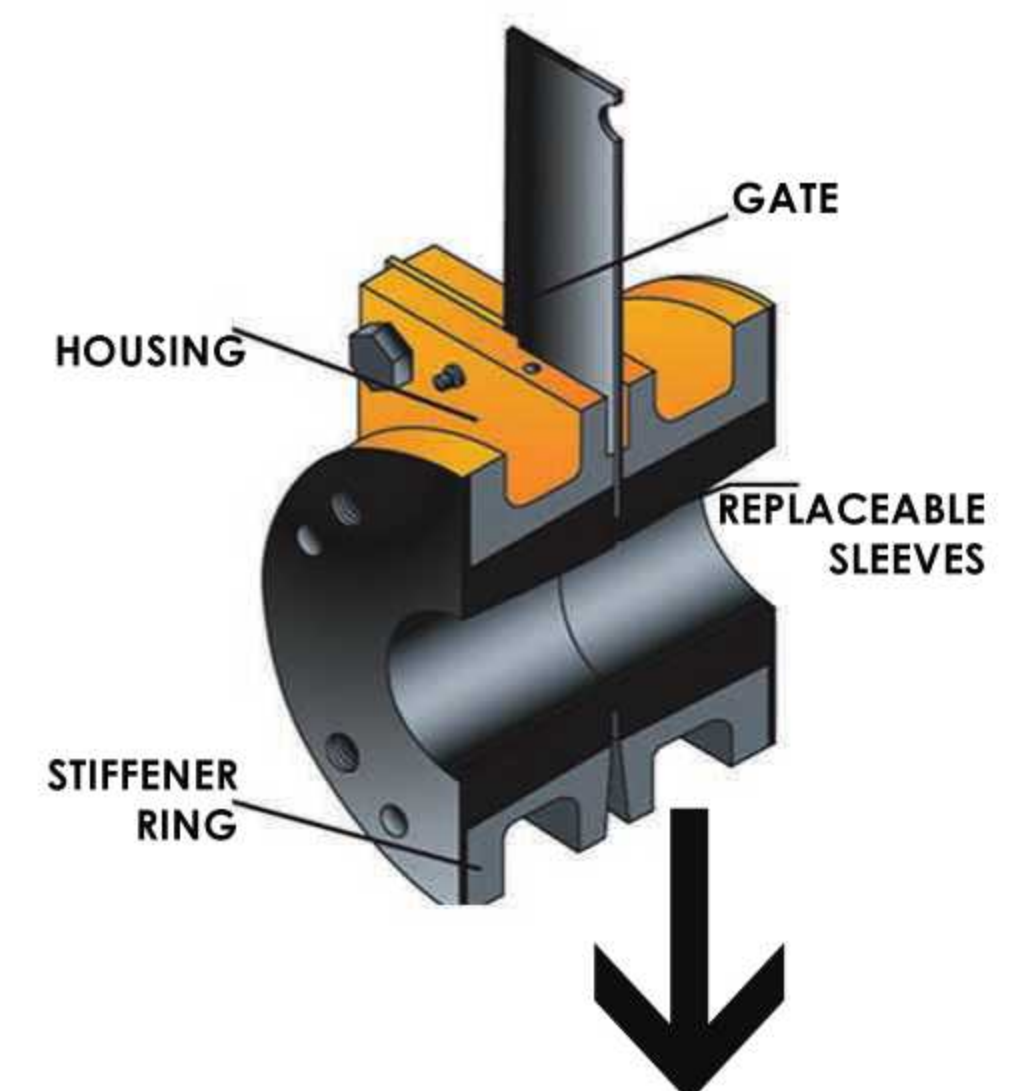
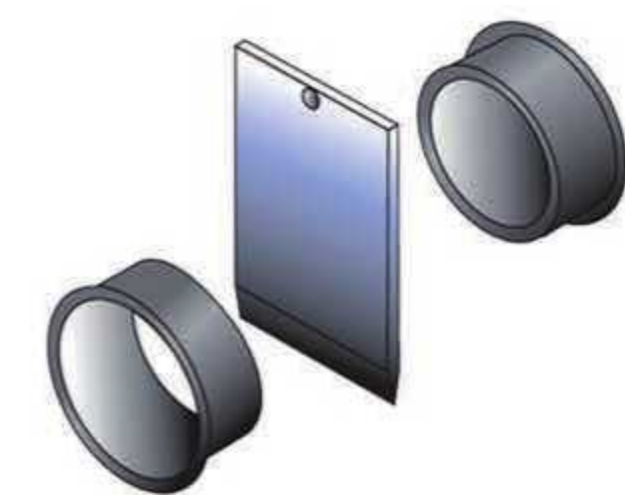
| Valve Size | Size | 3" | 4" | 6" | 8" | 10" | 12" | 14" | 16" | 18" | 20" | 24" |
|------------|-----------|------|-------|-------|-------|-------|-------|-------|-------|------|-------|-------|
| | | 80mm | 100mm | 150mm | 200mm | 250mm | 300mm | 350mm | 400mm | 450m | 500mm | 600mm |
| M/H | A | 625 | 704 | 845 | 981 | 1050 | - | - | - | - | - | - |
| | B | 225 | 280 | 306 | 388 | 421 | 533 | 578 | 616 | 674 | 721 | 860 |
| | C | 310 | 310 | 415 | 415 | 415 | - | - | - | - | - | - |
| MG | D | - | - | - | - | 1082 | 1205 | 1354 | 1453 | 1657 | 1784 | 2185 |
| | E | - | - | - | - | 594 | 648 | 670 | 702 | 770 | 795 | 883 |
| | F | - | - | - | - | 580 | 580 | 580 | 580 | 500 | 500 | 500 |
| AC | G | 549 | 617 | 794 | 910 | 1048 | 1219 | 1353 | 1500 | 1710 | 1867 | 2236 |
| | H | 61 | 84 | 136 | 174 | 230 | 273 | 317 | 355 | 377 | 421 | 539 |
| | I | 71 | 98 | 147 | 196 | 249 | 292 | 336 | 374 | 425 | 470 | 585 |
| H/A | J | 172 | 172 | 174 | 180 | 220 | 256 | 256 | 278 | 312 | 359 | 372 |
| | K | 624 | 702 | 864 | 973 | 1124 | 1350 | 1468 | 1627 | 1750 | 1935 | 2342 |
| | Weight KG | MH | 23 | 29 | 45 | 62 | 90 | - | - | - | - | - |
| Weight KG | MG | 58 | 64 | 80 | 97 | 125 | 194 | 204 | 261 | 395 | 475 | 485 |
| Weight KG | AC | 39 | 59 | 82 | 96 | 141 | 304 | 319 | 512 | 550 | 690 | 895 |
| Weight KG | HC | 23 | 32 | 45 | 62 | 80 | 164 | 188 | 250 | 431 | 548 | 635 |

VALVE BODY

- Urethane wiper blades.
- Lubrication ports on both sides of the valve body.
- Flushing port at the bottom.
- Open/Closed lockout brackets standard, ready for optional factory supplied lockout pins.
- Adaptable frame (yoke) design can be field modified to take air cylinder or gearbox.

HOW THE RUBBER INSERTS WORK

- Matching rubber inserts are placed in the valve housing to seal against the gate when the valve is closed and seal against each other when the valve is open.
- This tight seal contains the high internal line pressure, precluding direct pressure against the secondary seal.
- Double seated design provides bi-directional flow and shut off.



FLUSH OUT AREA